

## Model : HIS-550B



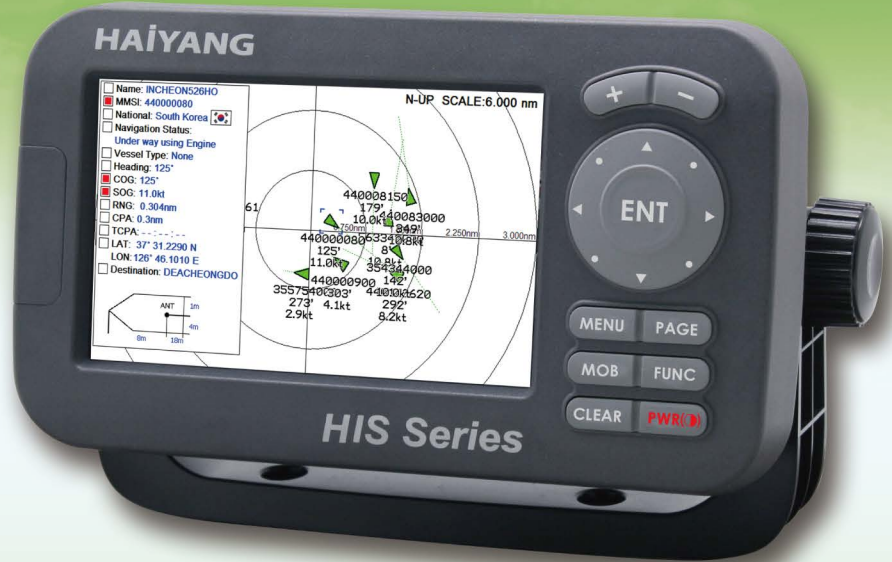
**5 inch Color  
WVGA LCD display**



**Simple background  
map supporting**



**Providing various  
AIS information**



### ◆ Color WVGA LCD

Wide 5 inch color LCD backlight display supports an ultra bright for the optimum viewing against direct sunlight.

### ◆ Compact design

Compact design for water/dust resistant and protection.

### ◆ Easy operation

Various turbo keys support easy operation, for example, turbo page key supports quick changing pages.

### ◆ SD card

If you need a back-up data such as mark, you may store in SD and share the mark in the entire Haiyang GPS chartplotters through the SD. Also, reverse is possible.

### ◆ AIS labels window

AIS labels window supports. You may see various AIS information such as MMSI, Nationality, Navigation status, Vessel type, Heading, COG, SOG, RNG, CPA, TCPA, LAT/LON and Destination on the window.

### ◆ AIS target tag

You may choose up to four items of AIS labels window to AIS target tag. Chosen items will show under AIS targets.

### ◆ Background map

The entire of Asia is in the background map. The background map provides easier and safer navigation.

### ◆ Alarm

CPA, TCPA, RNG support. After setting alarm, it supports you for safer and more convenient navigation.

### ◆ Easy distinguish

Four vessel symbols, colors and even showing national flags are available.

### ◆ AIS compatibility

Flexible integration with various AIS compatible radar and chart plotters



103-903 Bucheon Technopark 22 Samjakro Ojeonggu

Bucheon Gyeonggi, Korea

TEL : +82 32 327 4712

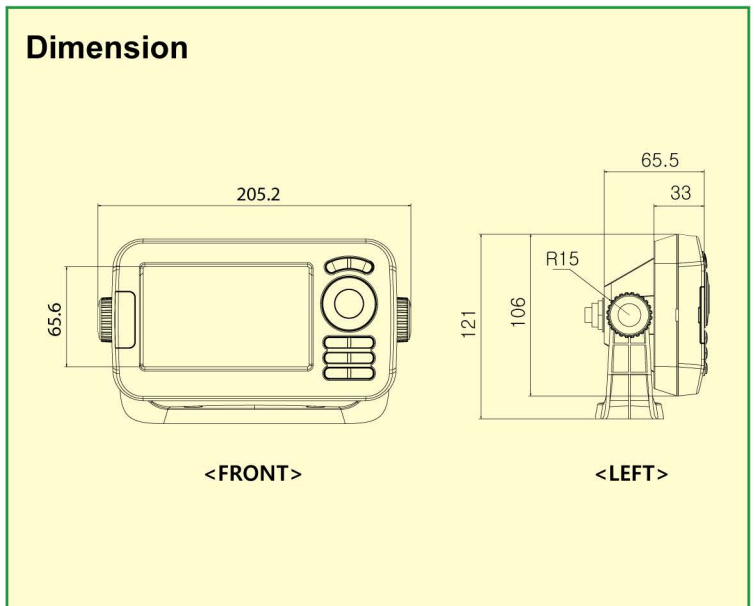
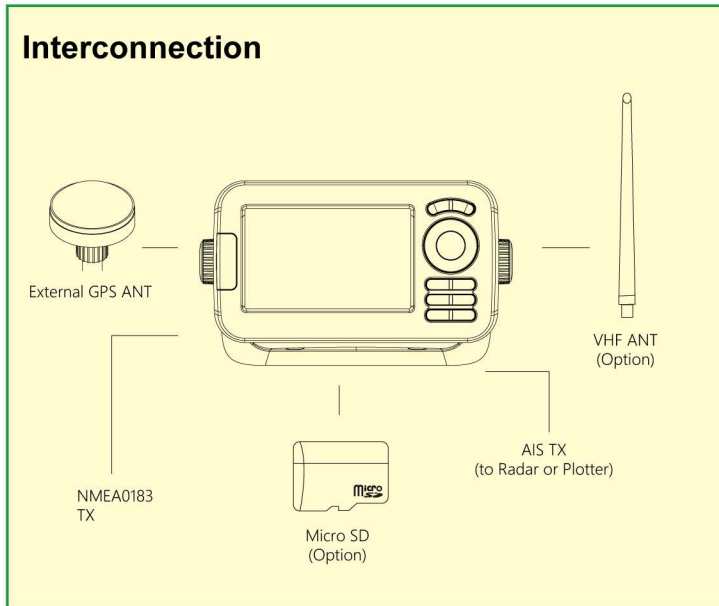
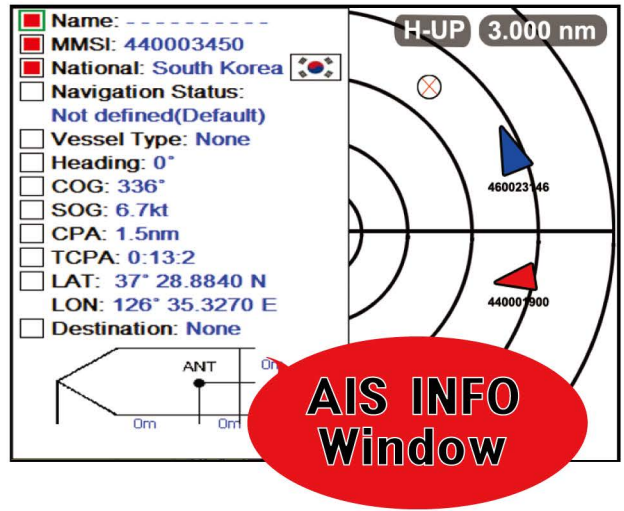
FAX : +82 32 327 4713

Web-site : <http://www.haiyang.co.kr>

General Specifications	
Display screen	5.0 inch color LCD with LED backlight
Display resolution	WVGA(800 X 480 pixels)
Display brightness	Less than 500 cd/m <sup>2</sup>
Power supply	DC 12V~36V
Operating Temperature	Display Unit -15°C~+50°C
	Antenna Unit -25°C~+70°C
Performance Standard	IMO Resolution MSC.112(73)
Display Method	Mercado projection
Display Mode	North/South/West/East and Head up
Latitude Limits	Between 85° N to 85° S
Map Scale	0.02nm~1500nm
Map Datum	WGS-84
Waypoint	20,000 point
Chart Data	Built-in
Output Data	NMEA-0183
Alarm	CPA, TCPA, Range

GPS Specifications	
Receiver Frequency	L1 1575.42 MHz(C/A)
Number of Channel	Over 50 channel
Accuracy	Position 2.5m CEP
Sensitivity	Acquisition -148 dBm / Tracking -165
Code	C/A code
Data Update Rate	1 Second
GNSS	GPS, GLONASS, Galileo, BeiDou
SBAS	WASS, EGNOS, MASAS, GAGAN

AIS Specifications	
AIS standards	IEC62287-1 Ed3, IEC62287-2 Ed2
	ITU-R M.1371-5
Frequency	156.025MHz to 162.025MHz
Transmitter	X 1
Receiver	X 2
Channel Spacing	25KHz
Frequency stability rate	±10PPM(-20°C ~ +60°C)
Connectors	VHF ANT (SO-239)
	GPS ANT (BNC)
Sensitivity	107dBm (Message error rate : 20%)
Display stats	On, TX, RX1,RX2
Output power	2W or 5W
Demodulation	GMSK



\*SPECIFICATIONS SUBJECT TO CHANGE WITHOUT NOTICE

**Certified to ISO 9001/2000**

**04723H Printed in Korea**

**Haiyang OLIX CO., LTD.**  
 103-903 BUCHEON TECHNOPARK 22 Samjakro Ojeonggu  
 Bucheon Gyeonggi, Korea  
 Tel : +82 32 327 4712 Fax : +82 32 327 4713  
 Web-site : <http://www.haiyang.co.kr>  
 E-mail : [sales@haiyang.co.kr](mailto:sales@haiyang.co.kr)