

Smart 7



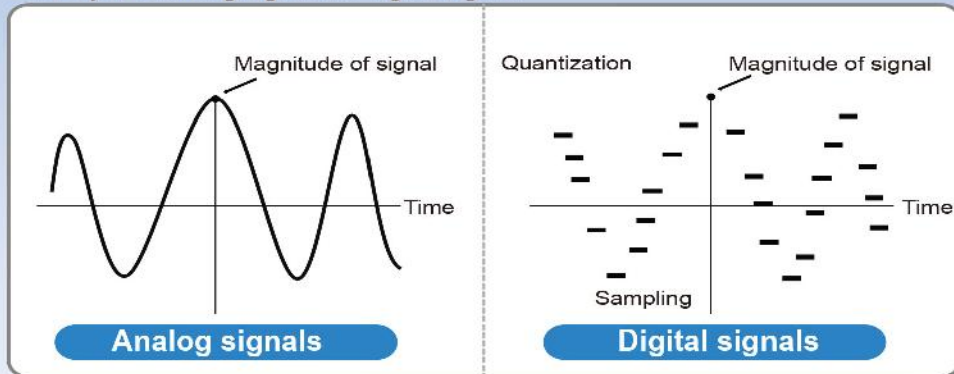
HD-70C / HD-77F / HD-77CF

-  **LED Backlight Display**
-  **High Accuracy(C-50)**
-  **Outdoor use**
-  **Windows OS**
-  **SD support**
-  **Various AIS information**



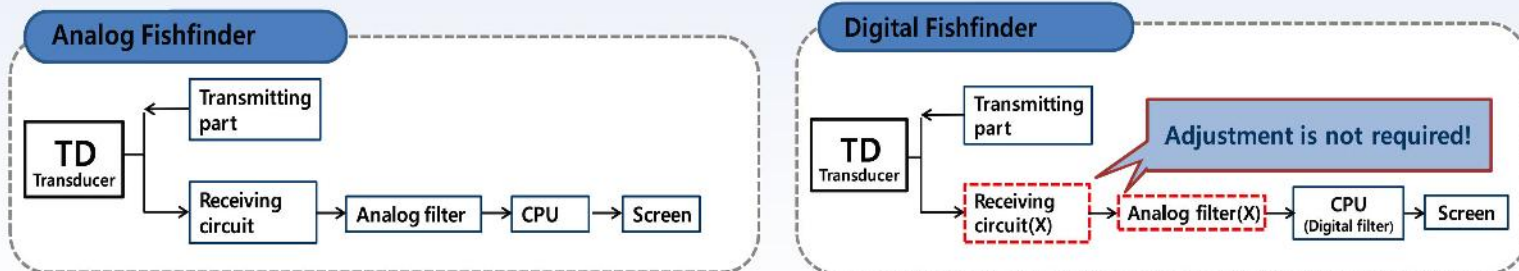
HD-77CF
(Combo)

Concepts of analog signal and digital signals



In analog FF, the continuous analog signals provide so that there is a limit to filter the noise. For example, in case of 200KHz, analog FF receives data between 180KHz to 220KHz but digital FF can provide the pure 200KHz data only through "Digital Filter" in CPU, which provides the pure data of only 200KHz. Hence, the digital image is the optimum clean and analysis is brilliant.

How does digital fishfinder work?



103-903 Bucheon Technopark 364 Samjeongdong Ojeonggu
Bucheon Gyeonggi, Korea
TEL : +82 32 327 4712 FAX : +82 32 327 4713
Web-site : <http://www.haiyang.co.kr>

Smart 7

GENERAL SPECIFICATION

1. Display Screen
7 inch wide color LED Back-light
2. Power Supply
DC 12V~36V(±10%)
6W(HD-70C)/12W(HD-77F/CF)
3. Resolution
VGA(480X800pixels)
4. Operating Temperature
Display Unit -15°C ~ 50°C
Antenna Unit -25°C ~ 70°C
5. Dust/Waterproof
IP 56
6. Performance Standard
IMO Resolution MSC.112(73)
7. Back-up
SD Card (Optional)

CHARTPLOTTER SPECIFICATION (70C,77CF)

1. Display Method Mercado Projection
2. Display Mode
True motion / Up Mode (North/South/West/East/Course/Head)
3. Latitude Limits Between 85 N to 85 S
4. Map Datum WGS-84(Standard), 270 different Datums
5. WPT/Mark 20,000 points
*Total of 16 colors and 16 icons are selectable each point with name tag
6. Track Point 50,000 points
7. Route Max capacity 100 Routes
*20 WPTs per each Route. Each with name tags (8 alphanumeric characters)
8. Chart Data C-MAP NT+/MAX
9. Output Data NMEA-0183
10. Input Data NMEA-0183
11. Alarm Arrival, Anchor, Off course, Interval timer
AIS(CPA, TCPA)

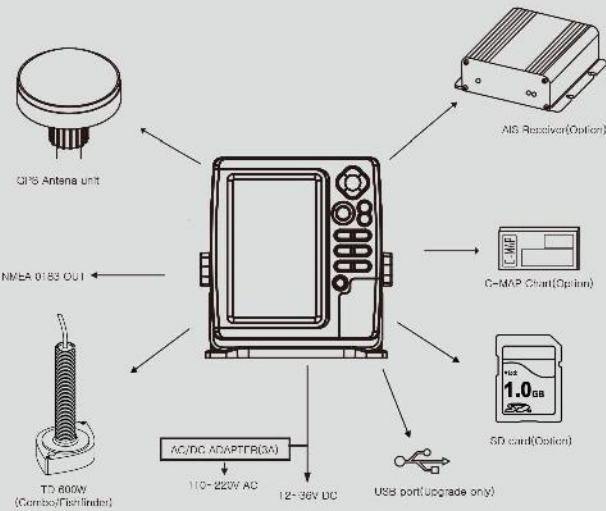
GPS RECEIVER SPECIFICATION (70C,77CF)

1. Receive Type
L1 frequency(1575.42MHz), C/A code
2. Number of Channel
Over 50 channels
3. Accuracy
Position 2.5m CEP
DGPS/SBAS 2.0m CEP
4. Sensitivity
Acquisition -140 dBm
Tracking -149 dBm
5. Data Update Rate
1 Second
6. Datum
WGS-84(Standard), 270 different Datums
7. Support
DGPS, SBAS (WAAS, etc)

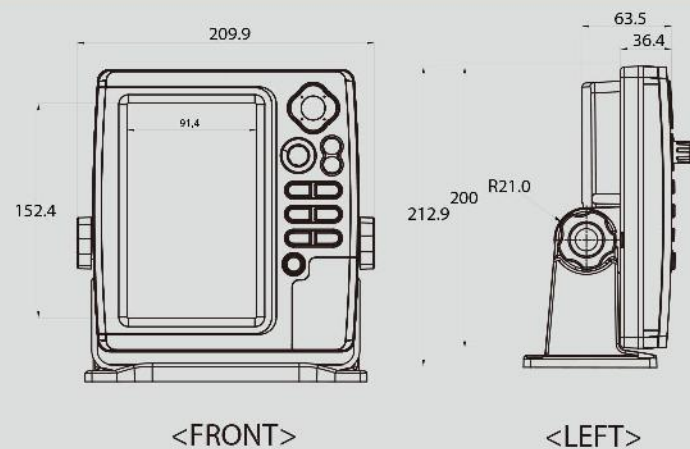
FISHFINDER SPECIFICATION (77CF,77F)

1. Display Mode: Bottom-lock, Bottom-zoom, A-scope
2. Frequency : 50 and 200 KHz
3. Output : 600W
4. Depth Range : 2.5m ~ 600m
5. Image speed : Fixed 8 speeds and stop
6. Interference rejection : 3 levels
7. Noise rejection : 4 levels
8. Function : Gain(auto/manual), range(auto/manual), Shift(auto/manual), White/Black line
Support speed sensor, Water temperature
9. Alarm : Depth, Fish-school, Water TEMP.

Interconnection



Dimension



Certified to ISO 9001/2000

Haiyang OLIX CO., LTD.
103-903 Bucheon Technopark 364 Samjeongdong Ojeonggu
Bucheon Gyeonggi, Korea
Tel : +82 2 3274712 Fax: +82 32 3274713
Web-site: <http://www.haiyang.co.kr>
E-mail: sales@haiyang.co.kr