

GENERAL SPECIFICATION

1. Display Screen
Smart 4 : 4.3 inch color LCD with LED backlight
Smart 5 : 5 inch color LCD with LED backlight
2. Resolution
Smart 4 : WQVGA (480 X 272 pixels)
Smart 5 : WVAG (800 X 480 pixels)
3. Power Supply
DC 12V~36V(±10%)
Smart 4 : 4W(HD-43C)/ 6W(HD-43F/CF)
Smart 5 : 5W(HD-50C)/ 7W(HD-50F/CF)
4. Operating Temperature
Display Unit -15°C~+50°C
Antenna Unit -25°C~+70°C
IMO Resolution MSC.112(73)
5. Performance Standard
6. Option
MicroSD, External GPS Antenna, Transducer

CHARTPLOTTER SPECIFICATION

1. Display Method Mercator Projection
2. Display Mode
True motion / N/S/E/W up / Course up / Head up
3. Latitude Limits Between 85° N to 85° S
4. Map Scale 0.05nm to 1500nm
5. Map Datum WGS-84
6. Waypoint 20,000 points
*Total of 16 colors and 16 icons are selectable each point with name tag (8 alphanumeric characters)
7. Track Point 50,000 points(2 types)
8. Route
Max capacity 100 Routes
*20 WPTs per each Route. Each with name tags (8 alphanumeric characters)
9. Draw Point 1,000 points
10. Area Name 1,000 points
11. Chart Data HY-MAP(Built-in or External)/ C-MAP/ Navionics
12. Output Data NMEA-0183
13. Input Data NMEA-0183
14. Alarm Arrival, Anchor, XTE, Interval timer, Userline

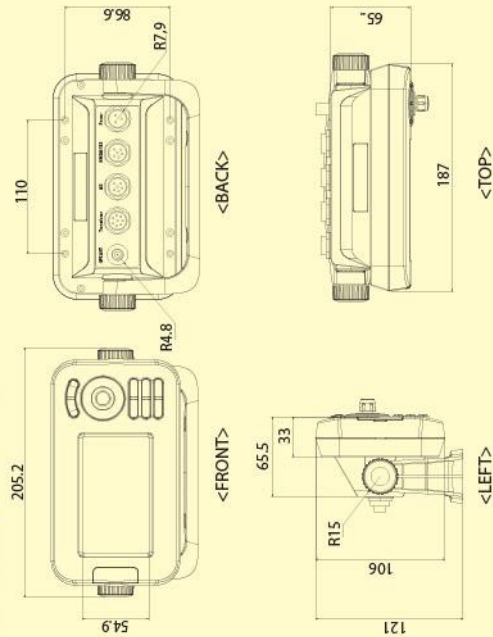
GPS RECEIVER SPECIFICATION

1. GNSS Receiver Capabilities
GPS L1 C/A code
GLONASS L1OF/
QZSS L1 C/A code
Galileo E1B/E1C/L1
2. Number of Channel
52 channels
3. Horizontal Positioning Accuracy
Autonomous 2.5m (CEP 50%)
4. Sensitivity
Acquisition -148 dBm
Tracking -165 dBm
Reacquisition -162 dBm
5. Nav Update
1Hz, 5Hz
6. Support
DGPS, SBAS(EGNOS, WAAS, MASA, GAGAN)

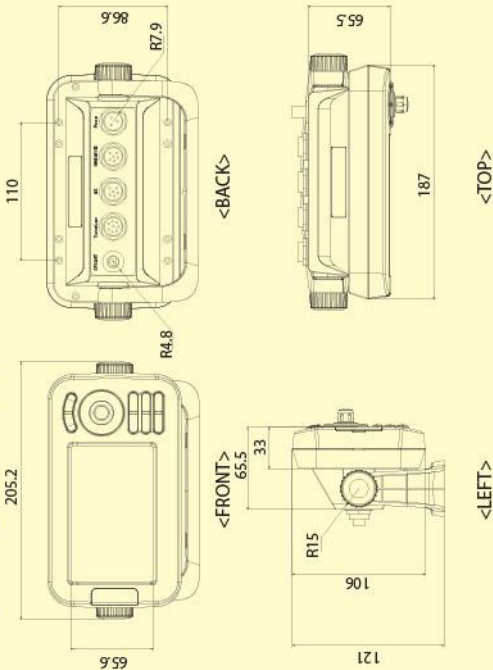
FISHFINDER SPECIFICATION

1. Display Mode
Normal (single/dual-frequency), Bottom-lock, Bottom-zoom, A-scope
2. Frequency
50 and 200 KHz (single or dual)
3. Output Power
300W/ 600W
4. Range speed
300W : 2.5m ~ 300m
600W : 2.5m ~ 600m
5. Image speed
Fixed 8 speeds (4/1, 2/1, 1/1, 1/2, 1/4, 1/8, 1/16, 1/32) and stop
6. Rejection
Interferences rejection: 3 levels
Noise rejection: 4 levels
7. Function
Gain(auto/manual), Range(auto/manual), Shift(auto/manual), White/Black line
Support speed sensor, Water temperature

Dimension(Smart 4)



Dimension(Smart 5)



Move to the future

New Smart series



Digital Fishfinder



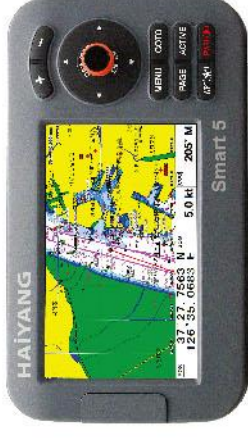
HD-43CF
(Combo)



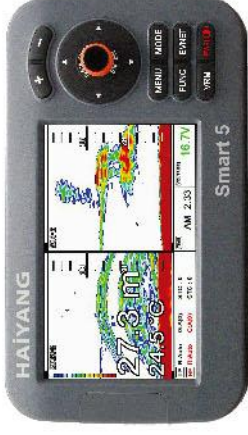
HD-43C
(Standalone Chartplotter)



HD-43F
(Standalone Fishfinder)



HD-50C
(Standalone Chartplotter)



HD-50F
(Standalone Fishfinder)

CHARTPLOTTER SPECIFICATION



LED Backlight Display

Wide color LED Backlight Display is ultra bright for the optimum viewing under direct sunlight.



Internal GPS ANT standard

New Haiyang's internal GPS ANT, accuracy of the position. Real-time head-moving is available.

- DGPS
- SBAS(WAAS, etc.)



Three Chart Systems

Three chart systems C-MAP(SD)/HY Chart(Inter/Exter) are available. The most suitable chart is chosen by the user. Lots of information such as buoys, lighthouses, wrecks and tides are provided.



Windows OS

Easy operation with Turbo keys on Windows.



Outdoor use

Water/Dust resistant protect against dust, rain or wave in rough condition.

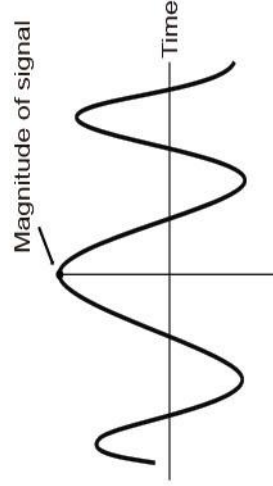


Multi-language

Selection of languages, Korean, English, Italian, Spanish, Chinese, Taiwanese, Vietnamese, Arabic, Thai, Greek, Turkish, Malay, Indonesian, Aarbic, Indian(Hindi, Gujarati) Persian etc.

FISHFINDER SPECIFICATION

Concepts of analog signal and digital signals



Analog signals

Digital signals

Analog Fishfinder

Digital fishfinder